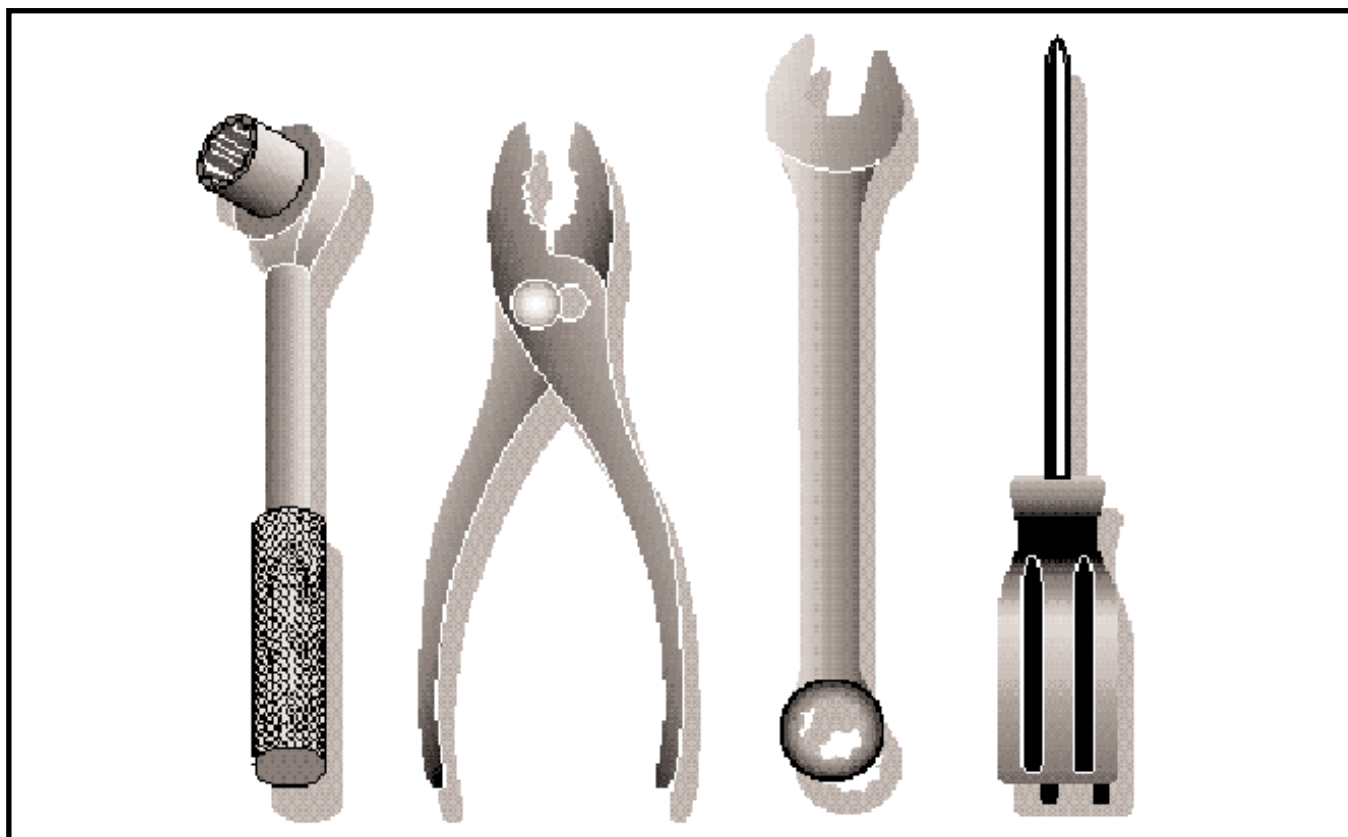


Tiller

650RTT

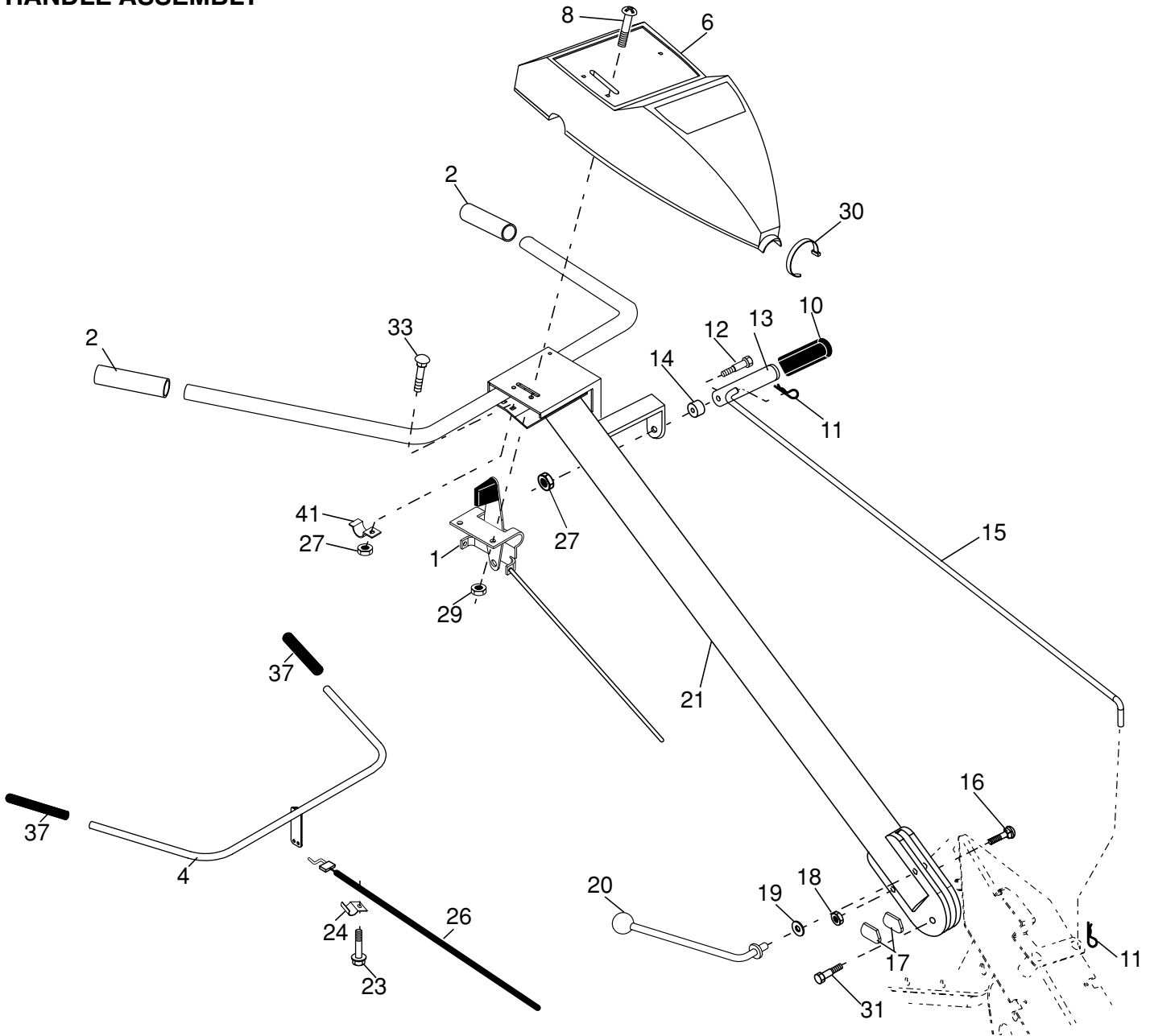
96093000201



REPAIR PARTS

TILLER - - MODEL NUMBER **650RTT** (96093000201), PRODUCT NUMBER 960 93 00-02

HANDLE ASSEMBLY



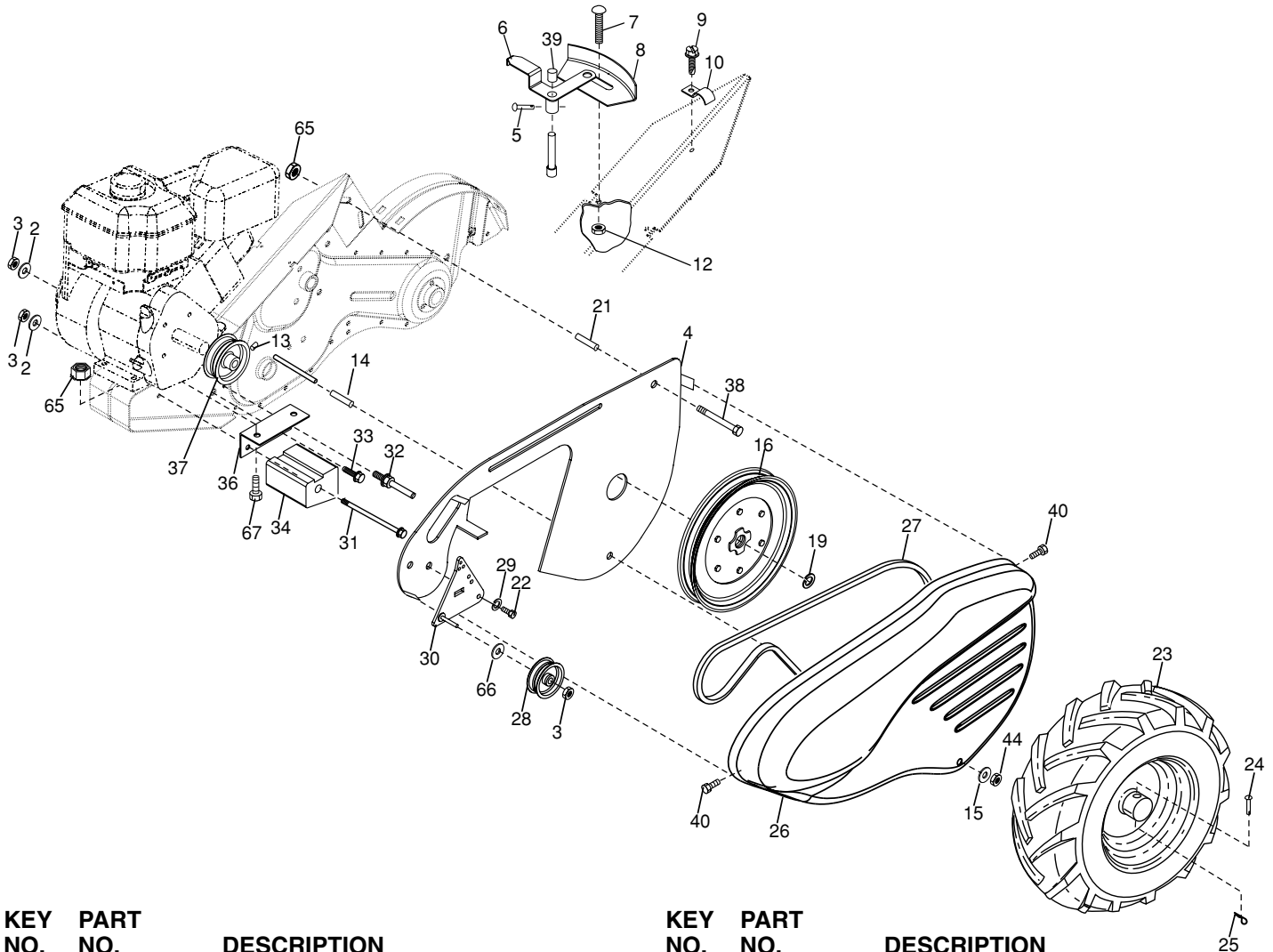
KEY NO.	PART NO.	DESCRIPTION
1	532 18 94-82	Control, Throttle
2	532 00 92-66	Grip, Handle
4	532 15 92-28	Control Bar Assembly
6	532 18 06-76	Panel, Control
8	871 19 10-08	Screw, Truss Head #10-24 x 1/2
10	532 12 47-97	Grip, Handle
11	532 12 47-88	Clip, Hairpin
12	532 08 13-28	Bolt, Shoulder
13	532 18 74-97	Handle, Shift
14	532 10 93-13	Grommet, Rubber
15	532 10 93-37	Rod, Shift
16	872 11 06-08	Bolt, Carriage, Grade 5 3/8-16 x 1
17	532 10 92-29	Lock, Handle
18	873 68 06-00	Nut, Crownlock 3/8-16
19	819 13 16-11	Washer 13/32 x 1 x 11 Gauge

KEY NO.	PART NO.	DESCRIPTION
20	532 10 92-28	Lever, Lock, Handle
21	532 18 11-27	Handle
23	532 08 67-77	Screw, Slotted, Hex Washer Head #10-24 x 1/2
24	532 00 94-84	Clip
26	532 15 92-31	Cable, Clutch
27	873 90 04-00	Nut, Hex, Flanged 1/4-20
29	873 73 10-00	Nut, Hex, Keps #10-24
30	532 10 41-64	Tie, Cable
31	532 15 06-96	Bolt, Pivot
33	872 14 04-04	Bolt, Carriage 1/4-20 x 1/2
37	532 10 26-04	Grip, Control Bar
41	532 10 27-44	Clamp, Control Bar

NOTE: All component dimensions given in U.S. inches.
1 inch = 25.4 mm

REPAIR PARTS

TILLER - - MODEL NUMBER **650RTT** (96093000201), PRODUCT NUMBER 960 93 00-02
 MAINFRAME, LEFT SIDE



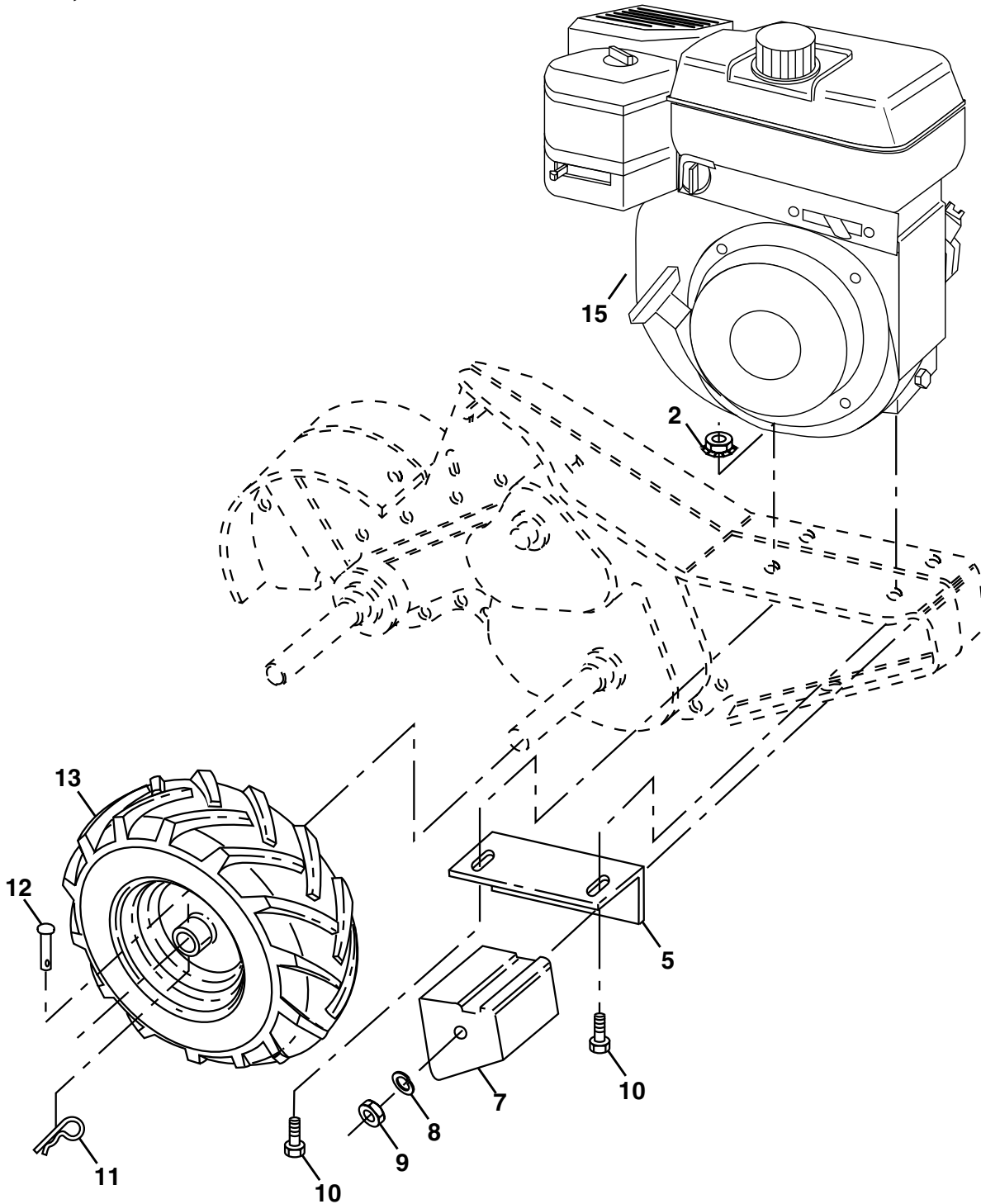
KEY NO.	PART NO.	DESCRIPTION
1	873 97 05-00	Nut, Hex, Flangelock 5/16
2	810 04 06-00	Washer, Lock 3/8
3	873 22 06-00	Nut, Hex 3/8-16
4	532 17 01-27	Shield, Inner Belt Guard, RH
5	532 16 43-29	Pin, Spiral, Flared
6	532 11 01-11	Lever, Shift
7	872 11 04-04	Bolt, Carriage, Grade 5 1/4-20 x 1/2
8	532 00 87-00	Plate, Shift Indicator
9	532 08 67-77	Screw, Slotted, Hex Washer Head #10-24 x 1/2
10	532 00 94-84	Clip
12	873 51 04-00	Nut, Hex, Keps 1/4-20
13	823 23 05-06	Set Screw, Hex 5/16-18 x 3/8
14	532 11 06-52	Spacer, Split 0.327 x 0.42 x 2.09
15	819 11 11-16	Washer 11/32 x 11/16 x 16 Gauge
16	532 14 51-02	Sheave, Transmission
19	812 00 00-28	Retainer Ring
21	532 15 61-17	Spacer, Split
22	874 77 05-08	Bolt, Hex Head 5/16-24 x 1/2
23	532 00 50-15	Tire
--	532 12 43-66	Rim
--	532 12 47-18	Valve, Tire
24	532 12 68-75	Rivet, Drilled

KEY NO.	PART NO.	DESCRIPTION
25	532 12 47-88	Clip, Hairpin
26	532 16 67-92	Guard, Belt
27	532 13 28-01	Belt, V
28	532 10 46-79	Pulley, Idler
29	812 00 00-32	Ring, Klip
30	532 15 92-29	Bracket, Idler
31	532 10 23-84	Bolt, Hex Head 5/16-16 x 12
32	532 10 21-41	Shaft, Idler Arm
33	874 76 06-16	Bolt, Hex 3/8-16 x 1
34	532 10 23-83	Counterweight, LH
35	874 76 05-24	Bolt, Hex Head 5/16-18 x 1-1/2
36	532 10 23-31	Bracket, Reinforcement, LH
37	532 13 08-12	Sheave, Engine
38	874 76 05-44	Bolt, Hex Head 5/16-18 x 2-3/4
39	532 14 00-62	Cap, Plunger, Black
40	532 17 04-88	Screw, Slotted, Hex Washer Head #10-24 x 1/2
44	873 80 05-00	Locknut, Hex, with Insert 5/16-18
65	873 97 05-00	Nut, Hex, Flangelock
66	819 13 13-12	Washer 13/32 x 13/16 x 12 Gauge

NOTE: All component dimensions given in U.S. inches.
 1 inch = 25.4 mm

REPAIR PARTS

TILLER - - MODEL NUMBER **650RTT** (96093000201), PRODUCT NUMBER 960 93 00-02
 MAINFRAME, RIGHT SIDE



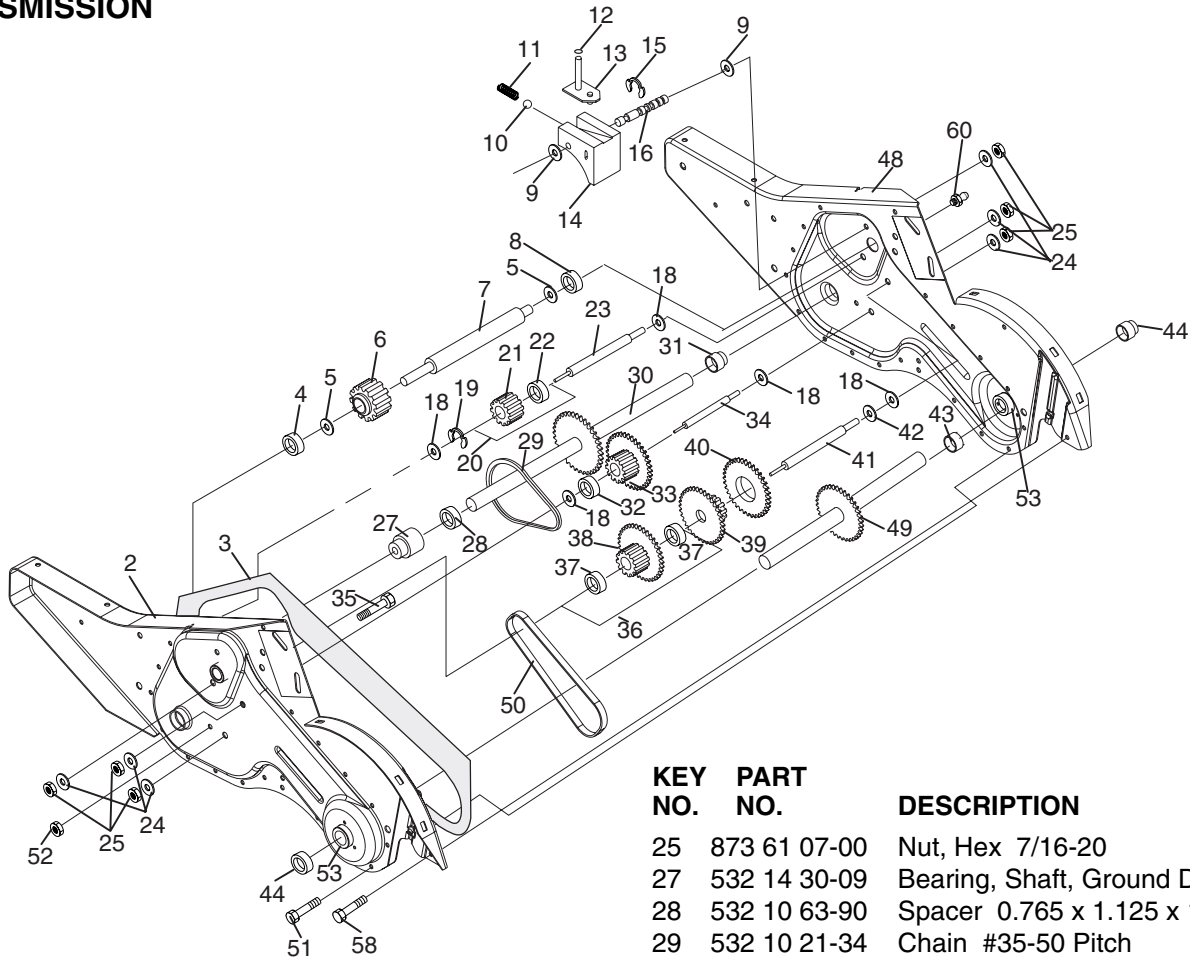
KEY NO.	PART NO.	DESCRIPTION
2	873 97 05-00	Locknut, Hex, Flange 5/16-18
5	532 10 23-32	Bracket, Reinforcement
7	532 10 21-73	Counter Weight, R.H.
8	810 04 06-00	Washer, Lock 3/8
9	873 22 06-00	Nut, Hex 3/8-16
10	874 76 05-24	Bolt, Hex 5/16-18 x 1-1/2
11	532 12 47-88	Clip, Hairpin
12	532 12 68-75	Rivet, Drilled

KEY NO.	PART NO.	DESCRIPTION
13	532 00 50-15	Tire
--	532 12 43-66	Rim
--	532 12 47-18	Tire Valve
15	---	Engine, Briggs & Stratton, Model Number 120302 (For engine service and replacement parts, call Briggs & Stratton at 1-800-233-3723)

NOTE: All component dimensions given in U.S. inches.
 1 inch = 25.4 mm

REPAIR PARTS

TILLER - - MODEL NUMBER 650RTT (96093000201), PRODUCT NUMBER 960 93 00-02 TRANSMISSION



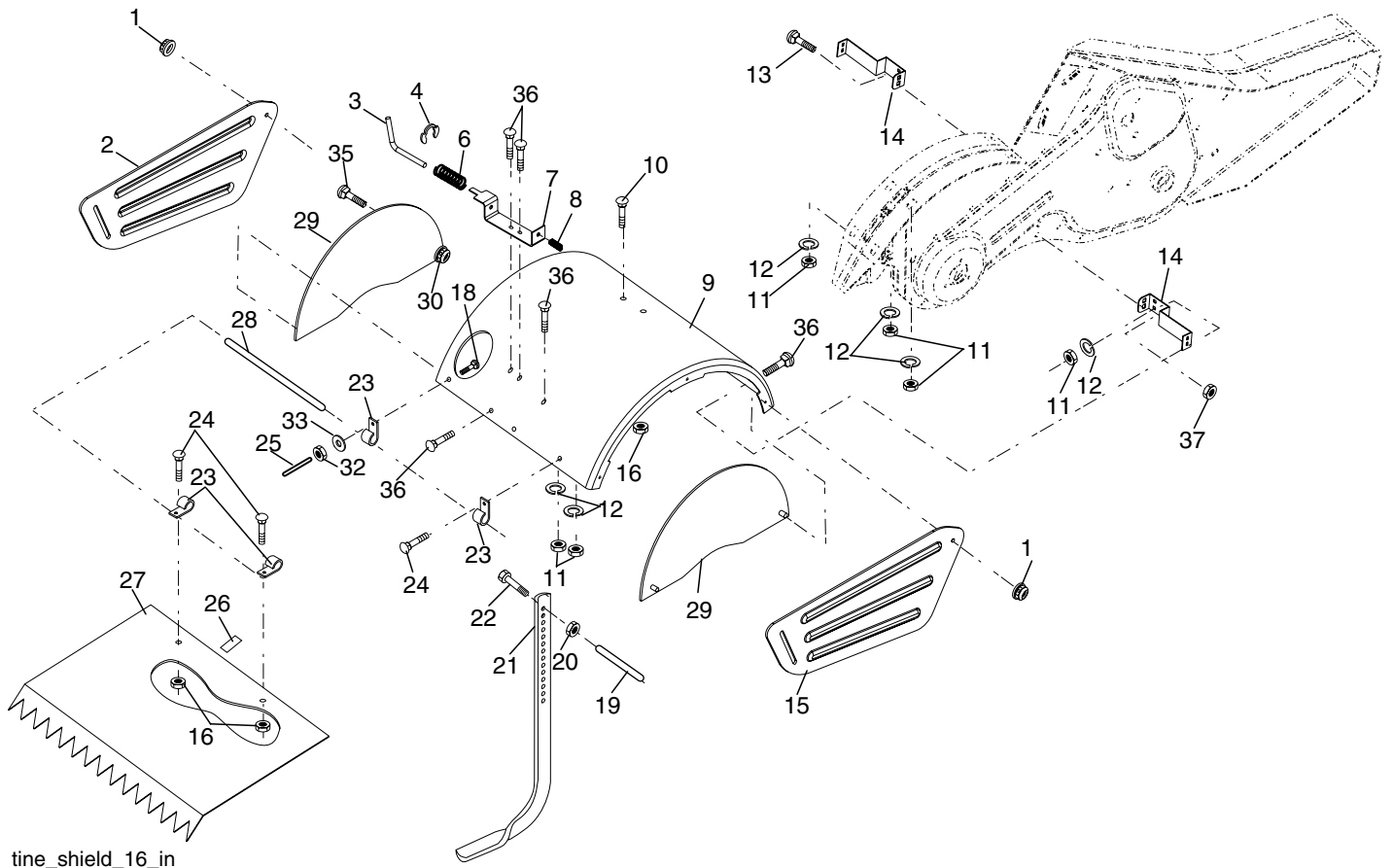
KEY NO.	PART NO.	DESCRIPTION
1	532 18 85-54	Transmission Assembly (Includes Key Numbers 2 through 53)
2	532 18 84-82	Gearcase, LH, with Bearing (Includes Key Number 4)
3	532 16 19-63	Gasket, Gearcase
4	532 00 50-20	Bearing, Needle
5	532 00 13-70	Washer, Thrust 5/8 x 1.10 x 1/32
6	532 13 73-35	Pinion, Input
7	532 14 51-01	Shaft, Input
8	532 12 47-92	Bearing, Needle
9	532 15 44-67	Washer, Seal
10	532 12 46-97	Ball, Steel
11	532 10 03-71	Spring, Shift, Fork
12	532 10 61-60	O-Ring
13	532 14 21-45	Arm, Shift
14	532 00 83-53	Fork, Shift
15	812 00 00-39	Ring, Klip
16	532 15 44-66	Shaft, Shift
18	532 00 43-58	Washer
19	812 00 00-40	Ring, Klip
20	532 10 21-14	Gear, Assembly, Reverse Idler (Includes Key Numbers 21 and 22)
21	532 10 21-15	Gear, Reverse Idler
22	532 00 68-03	Bearing, Needle
23	532 10 21-11	Shaft, Reverse Idler
24	810 04 07-00	Washer, Lock 7/16

KEY NO.	PART NO.	DESCRIPTION
25	873 61 07-00	Nut, Hex 7/16-20
27	532 14 30-09	Bearing, Shaft, Ground Drive LH
28	532 10 63-90	Spacer 0.765 x 1.125 x 1.23
29	532 10 21-34	Chain #35-50 Pitch
30	532 15 07-37	Ground Shaft Assembly
31	532 14 30-08	Bearing, Shaft, Ground Drive, RH
32	532 10 63-88	Spacer 0.70 x 1.00 x 1.150
33	532 10 21-21	Sprocket and Gear Assembly
34	532 10 21-12	Shaft, Reduction (2nd)
35	532 10 21-01	Screw, Whizlock 5/16-18 x 3-1/2
36	532 15 43-55	Sprocket Assembly with Bearing (Includes Key Numbers 37 and 38)
37	532 12 47-91	Bearing, Needle
38	532 15 43-56	Sprocket, Tine
39	532 10 53-45	Gear, Cluster, Red, 1st & 2nd
40	532 10 53-46	Gear, Reverse
41	532 00 83-58	Shaft, Reduction (1st)
42	532 00 42-20	Washer, Thrust
43	532 10 61-46	Spacer 1.01 x 1.75 x 0.760
44	532 15 52-36	Seal Assembly, Oil
48	532 18 84-85	Gearcase, RH, with Bearing (Includes Key Number 8)
49	532 13 26-88	Shaft, Tine
50	532 10 61-47	Chain, Roller #50-50 Pitch
51	817 72 04-08	Screw 1/4-20 x 1/2
52	873 22 05-00	Nut, Hex 5/16-18
53	532 16 51-40	Kit, Bearing
58	532 17 95-20	Bolt, Shoulder 1/4-20 x 7/8
60	532 18 32-26	Fitting, Grease
--	532 00 60-66	Grease, Plastilube #1

NOTE: All component dimensions given in U.S. inches.

REPAIR PARTS

TILLER - - MODEL NUMBER **650RTT** (96093000201), PRODUCT NUMBER 960 93 00-02
TINE SHIELD



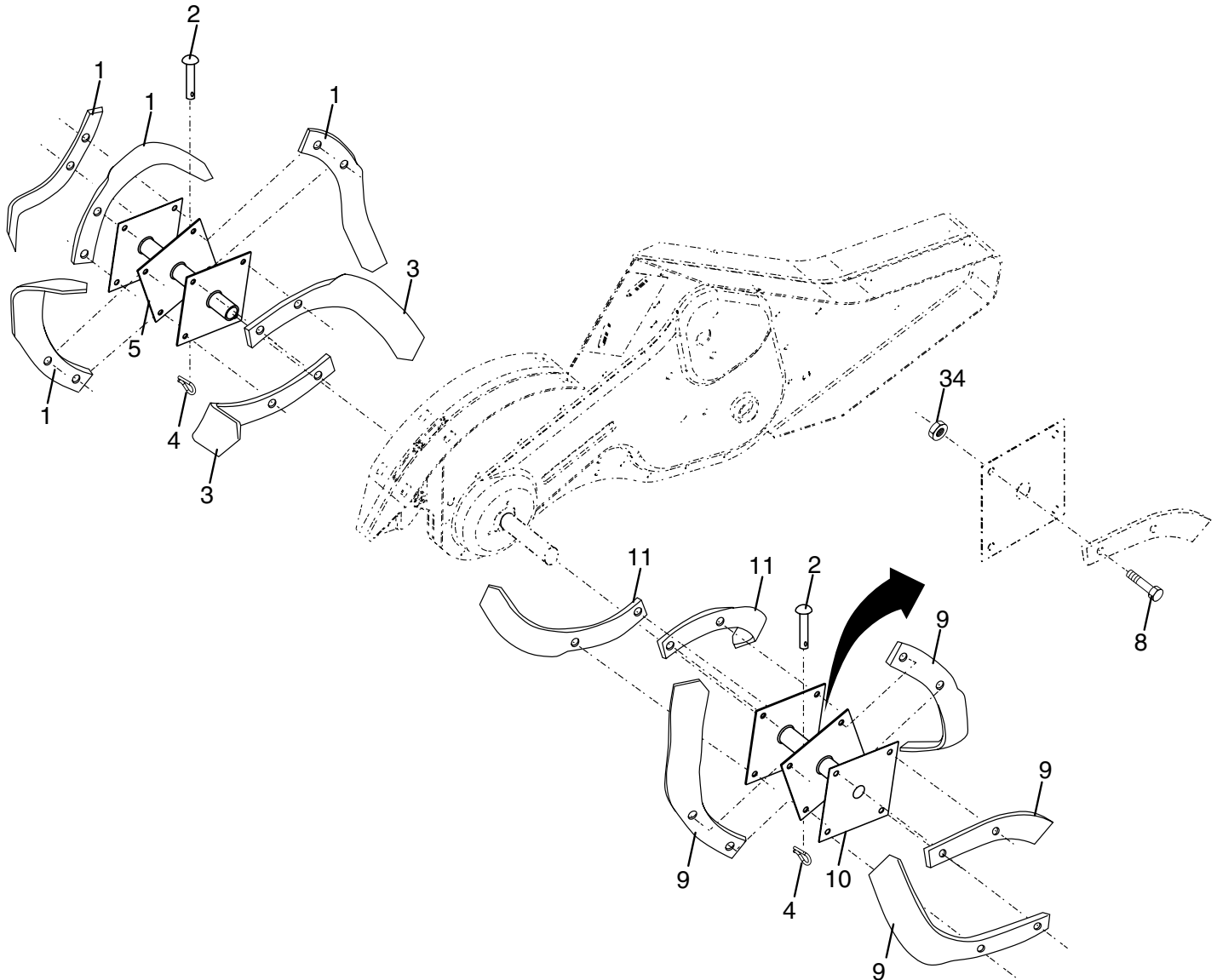
KEY NO.	PART NO.	DESCRIPTION
1	873 90 05-00	Nut, Hex, Flangelock 5/16-18
2	532 16 29-52	Shield, Side, Outer, LH
3	532 00 83-93	Pin, Stake, Depth
4	812 00 00-35	Ring, Klip
5	532 18 08-47	Bolt, Carriage 5/16-18 x 3/4
6	532 00 83-94	Spring
7	532 00 83-92	Bracket, Latch
8	532 10 92-30	Spring, Depth Stake
9	532 14 22-92	Shield, Tine
10	872 14 05-08	Bolt, Carriage 5/16-18 x 1
11	873 22 05-00	Nut, Hex 5/16-18
12	810 04 05-00	Washer, Lock 5/16
13	872 11 05-10	Bolt, Carriage 5/16-18 x 1-1/4
14	532 12 43-11	Bracket, Shield, Tine
15	532 16 29-53	Shield, Side, Outer, RH
16	873 90 04-00	Nut, Hex Flange 1/4-20
18	872 04 04-10	Bolt, Carriage 1/4-20 x 1-1/4
19	532 10 27-01	Grip

KEY NO.	PART NO.	DESCRIPTION
20	873 22 06-00	Nut, Hex 3/8-16
21	532 10 21-56	Stake, Depth
22	874 93 06-32	Bolt, Hex Head 3/8-16 x 2
23	532 00 44-40	Hinge
24	872 14 04-04	Bolt, Carriage, Grade 5 1/4-20 x 1/2
25	532 12 47-17	Cap, Vinyl
26	532 10 92-27	Pad, Idler
27	532 12 50-16	Shield, Leveling
28	532 12 05-88	Pin, Hinge
29	532 40 39-60	Shield, Side
30	873 97 05-00	Nut, Hex, Flangelock
32	873 22 04-00	Nut, Hex 1/4-20
33	810 04 04-00	Washer, Lock, Heavy Helical 1/4
34	873 80 05-00	Locknut, Hex 5/16-18
35	872 11 05-05	Bolt, Carriage 5/16-18 x 5/8

NOTE: All component dimensions given in U.S. inches.
1 inch = 25.4 mm

REPAIR PARTS

TILLER - - MODEL NUMBER **650RTT** (96093000201), PRODUCT NUMBER 960 93 00-02
TINE ASSEMBLY



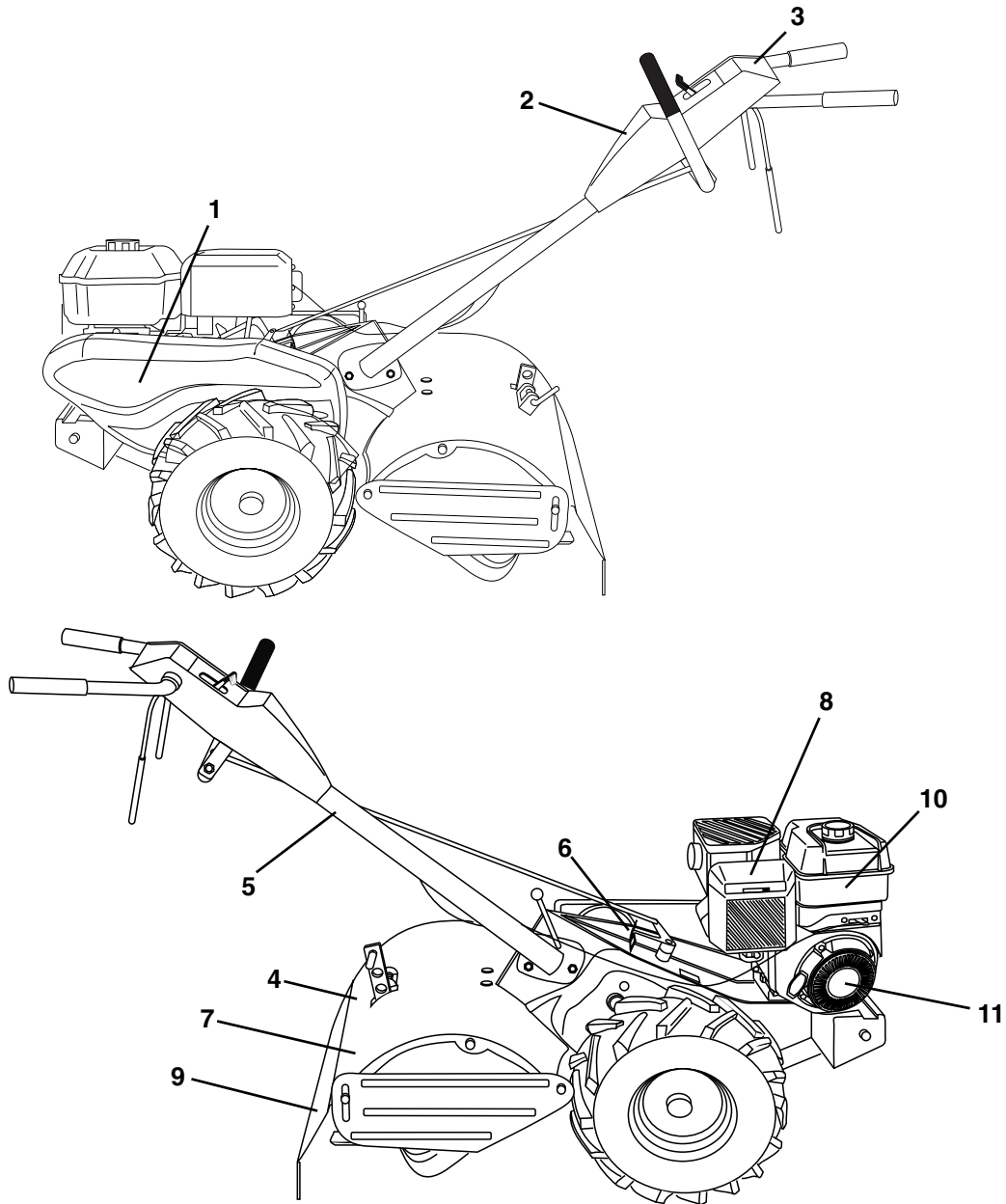
KEY NO.	PART NO.	DESCRIPTION
1	532 00 44-59	Tine, Outer, LH
2	532 13 26-73	Clevis Pin
3	532 00 65-54	Tine, Inner, LH
4	532 12 46-60	Retainer, Spring, Zinc-Plated
5	532 13 27-27	Assembly, Hub and Plate, LH
8	874 61 06-16	Bolt, Hex Head 3/8-24 x 1

KEY NO.	PART NO.	DESCRIPTION
9	532 00 44-60	Tine, Outer, RH
10	532 13 27-28	Assembly, Hub and Plate, RH
11	532 00 65-55	Tine, Inner, RH
34	873 54 06-00	Nut, Hex, Crownlock 3/8-24

NOTE: All component dimensions given in U.S. inches.
1 inch = 25.4 mm

REPAIR PARTS

TILLER - - MODEL NUMBER **650RTT** (96093000201), PRODUCT NUMBER 960 93 00-02
DECALS



KEY NO.	PART NO.	DESCRIPTION
1	532 18 90-19	Decal, Husqvarna, Belt Guard
2	532 18 90-18	Decal, Husqvarna, Control Panel
3	532 18 08-13	Decal, Tine Control
4	532 18 92-33	Decal, Tine Shield
5	532 11 06-14	Decal, Hand Placement
6	532 10 21-80	Decal, Shift Indicator
7	532 16 23-84	Decal, Warning
8	532 40 91-42	Decal, Engine, 8.75
9	532 12 00-76	Decal, Warning, Rotating Tines
10	532 40 91-41	Decal, Engine, Fuel Tank, 8.75
11	532 41 18-16	Decal, Rewind Starter, B&S
--	532 40 11-49	Owner's Manual, English
--	532 40 11-50	Owner's Manual, French